



SHISHAM
STANLEY

GROUP

**MORE THAN YOUR
BRACING EXPERTS**

BRACE HIRE & SALES

PLASTICS

PRECAST HARDWARE

ENGINEERING SERVICES

MELBOURNE BRANCH

(03) 9791 4622

BRISBANE BRANCH

(07) 3376 4286

WWW.SHISHAM.COM.AU

MELBOURNE | BRISBANE

WELCOME TO SHISHAM STANLEY GROUP

A family owned company which remains 100% Australian owned and operated, with branches in Melbourne and Brisbane.

Since 1977, Shisham has grown to be the market leader in the manufacturing, supply and hire of precast and tilt-up concrete braces and push pull props.

We also manufacture a wide variety of precast concrete products. With customers across Australia and the world, partners across the globe, manufacturing and fabricating plants located both in Australia and overseas, we have grown to be the dominant player in the industry.

With our in-house engineering and major project division, Shisham Stanley Group believes in a comprehensive approach - becoming a part of our client's business and knowing as much about their challenges to help create solutions.



SHISHAM BRACES - WLL TABLE

Tested and Rated to Australian Standard AS 3850 – 2015

BRACING

| Model | Closed Position | | Middle Position | | Full Extension | | Test No | Mass (kg) |
|---|-----------------|----------|-----------------|----------|----------------|----------|---------|-----------|
| | Length (mm) | WLL (kN) | Length (mm) | WLL (kN) | Length (mm) | WLL (kN) | | |
| MP 1: 1.95m – 3.15m | 1950 | 35 | 2550 | 35 | 3150 | 21.5 | M179 | 24.5 |
| MP 2: 2.45m – 4.0m | 2450 | 35 | 3100 | 26.5 | 4000 | 11 | M178 | 28.5 |
| MICRO MINI 0.6m - 0.85m | 600 | 35 | - | - | 850 | 35 | M176 | 14 |
| TRENCH MINI 1.0m – 1.7m | 1000 | 35 | 1350 | 35 | 1700 | 35 | M175 | 20 |
| SUPA TRENCH 1.55m – 2.50m | 1550 | 35 | 2050 | 35 | 2500 | 35 | M174 | 26 |
| MINI 2.40m – 4.10m | 2400 | 35 | 3200 | 35 | 4100 | 25 | M165 | 36 |
| MINI 2 3.1m – 4.80m | 3100 | 35 | 4000 | 35 | 4800 | 21 | M172 | 41 |
| SUPA MINI 3.10m – 4.50m | 3100 | 35 | 3800 | 35 | 4500 | 30 | M171 | 47 |
| STANDARD 4.40m – 7.0m | 4400 | 35 | 5800 | 20 | 7000 | 11 | M170 | 61 |
| SPECIAL 5.70m – 9.40m | 5700 | 25 | 7500 | 11.5 | 9400 | 5.5 | M173 | 70 |
| JUMBO 6.40 – 11.30m | 6400 | 35 | 9000 | 13 | 11300 | 6 | M177 | 106 |
| SUPA JUMBO 8.50m – 14.50m | 8500 | 25 | 11500 | 6 | 14500 | - | M180 | 137 |
| KNEE BRACED – SPECIAL, JUMBO & SUPA JUMBO BRACES INSTALLED WITH KNEE | | | | | | | | |
| JUMBO | - | - | - | - | 11300 | 24 | M182 | 106 |
| SUPA JUMBO | - | - | 11500 | 24 | 14500 | 12 | M183 | 137 |

For any designed brace angle the fixing anchor capacity at both ends should be verified. In case braces are loaded in tension the fixing anchor capacity is likely to be governing the overall bracing system capacity. For extra high loads use Shisham dual foot which is designed to accommodate two fixing anchors at each end. The maximum WLL value of 35kN for the panel brace range is determined by the ply bearing capacity at shear pin connection. In case of tensile loading WLL=35kN applies to all the extension lengths. Micro Mini and Supa Mini braces with dual pins are rated to WLL of more than 35kN (up to 70kN) depending on the load case and type of foot/fixing used. Check with our team.

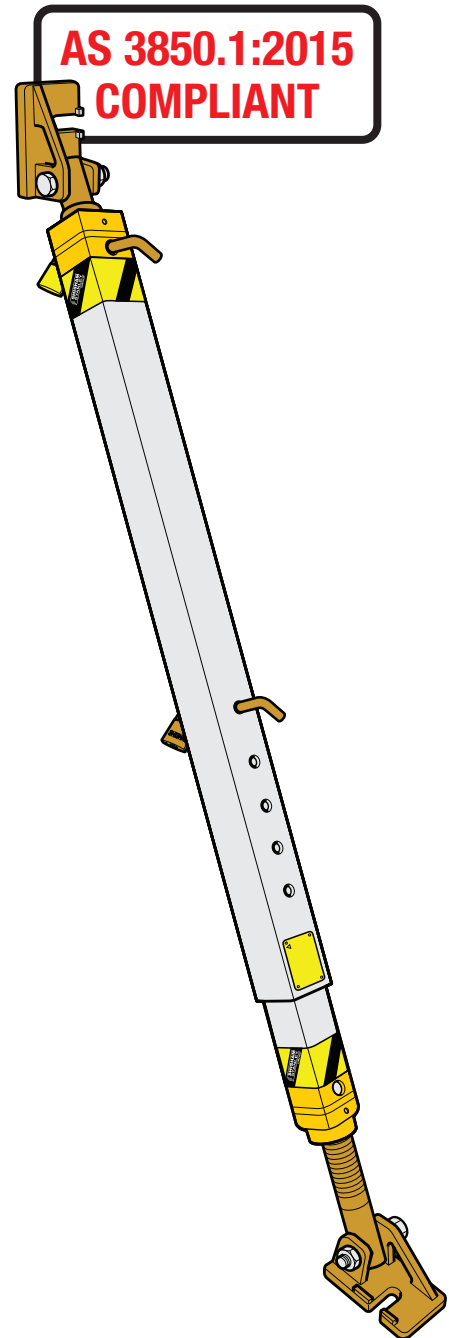
EXTRA HEAVY DUTY – HERCULES RANGE

| | | | | | | | | |
|-----------------------------|------|-----|------|-----|-------|-----|------|-----|
| HERCULES 1 2.50m – 3.50m | 2500 | 100 | 3000 | 100 | 3500 | 100 | M169 | 110 |
| HERCULES 2 4.60m – 7.50m | 4600 | 100 | 6000 | 100 | 7500 | 80 | M168 | 185 |
| HERCULES 3 6.50m – 11.0m | 6500 | 100 | 9000 | 75 | 11000 | 35 | M167 | 260 |

Hercules brace range maximum WLL value of 100 kN is a capped-off value determined by capacity of the brace connection bolts.

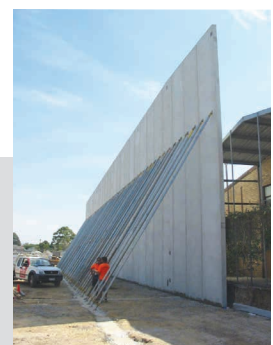
MASONRY BRACE

| | | | | | | | | |
|----------------------------|------|----|------|---|------|---|------|----|
| MASONRY 3-5 3.0m - 5.0m | 3000 | 13 | 4000 | 6 | 5000 | 3 | M164 | 21 |
|----------------------------|------|----|------|---|------|---|------|----|

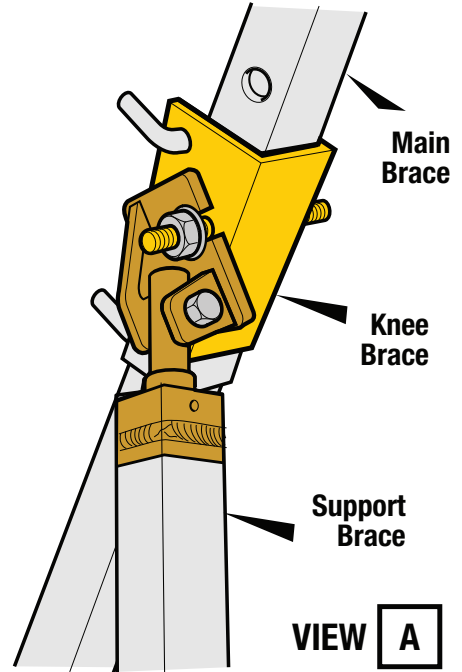
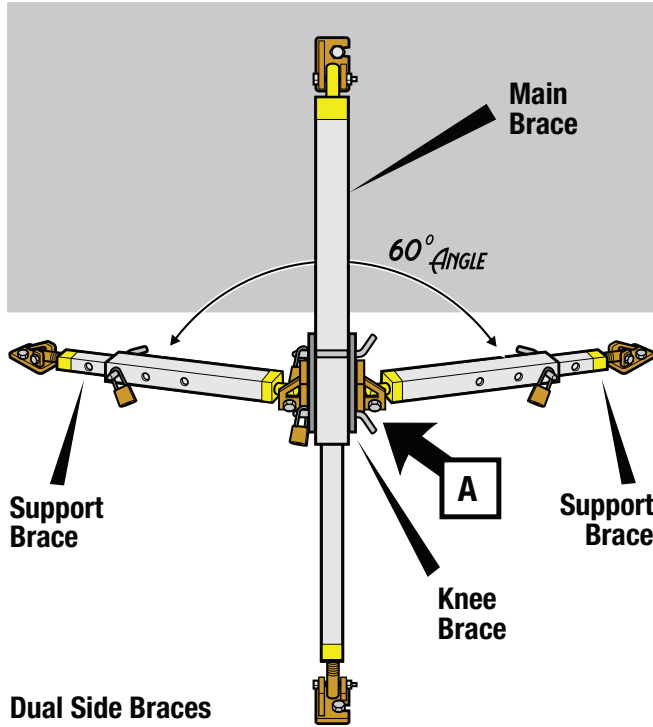


BRACE HIRE

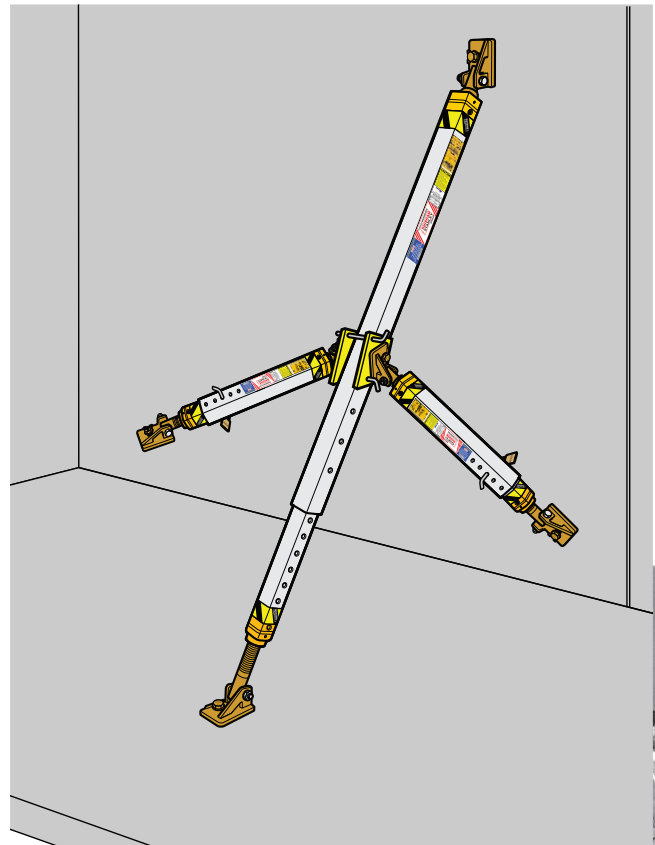
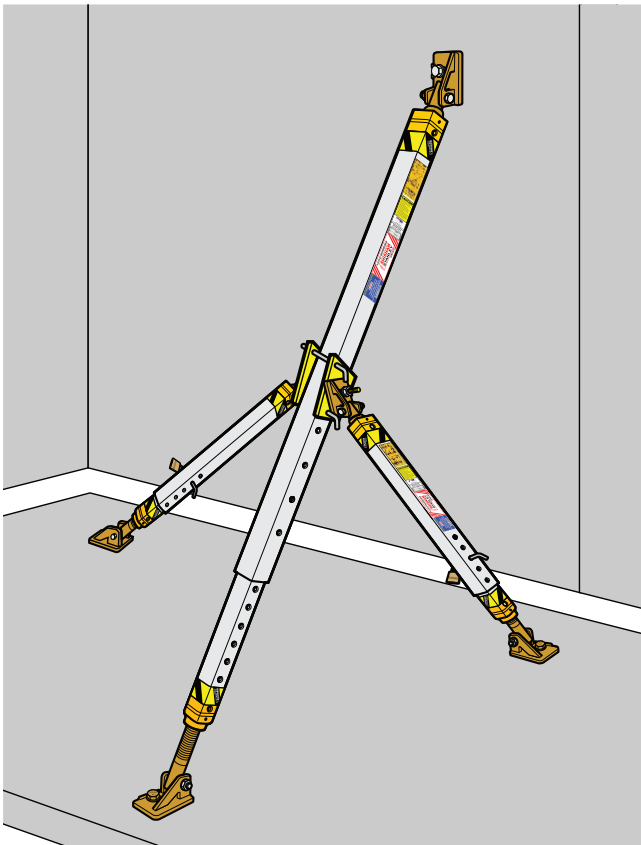
All of our Shisham Braces are available for daily hire. Contact us to discuss your bracing needs or to place an order. Transport to and from sites can be arranged.



SHISHAM DUAL KNEE BRACE



POSITION OPTIONS ON SITE

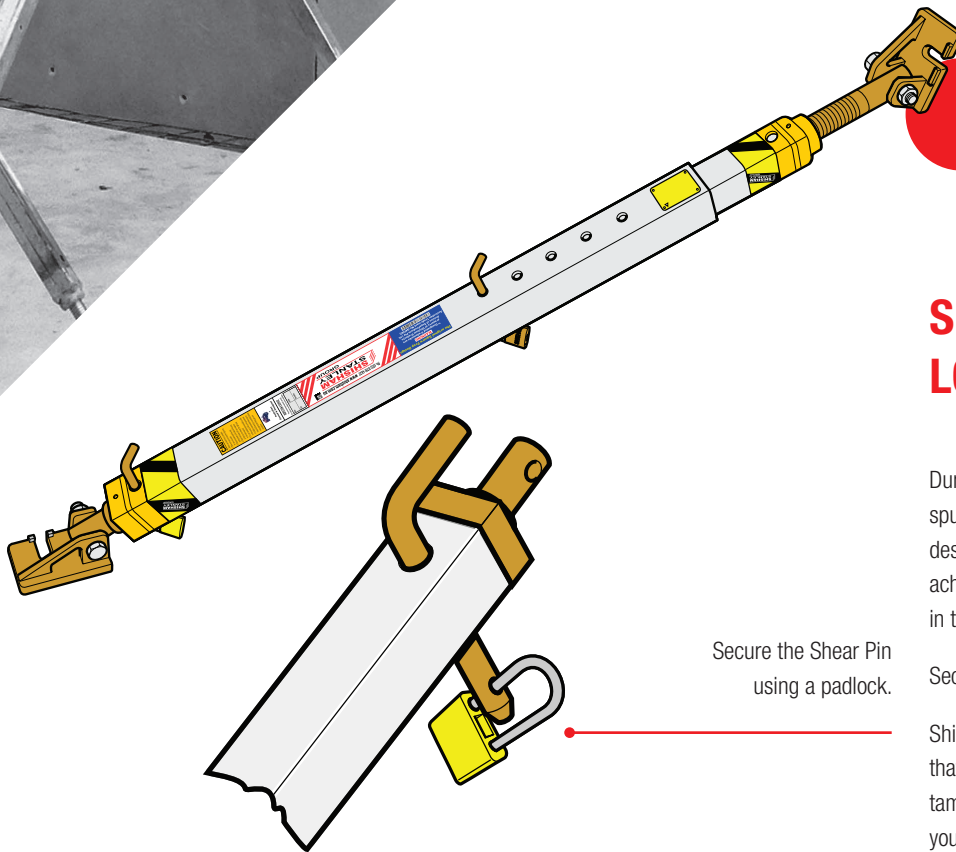


SHISHAM SPINDLE LOCK SYSTEM

During precast panel installation, braces are spun in or out for fine adjustment to achieve desired position. Once the panel position is achieved the braces should remain undisturbed in the same position until engineering approval.

Secure the shear pin to remove.

Shisham has now designed a brace spindle lock that prevents any unwanted/unauthorized brace tampering. With the use of shisham spindle lock you can rest assured that the panel will stay in the same position as installed.



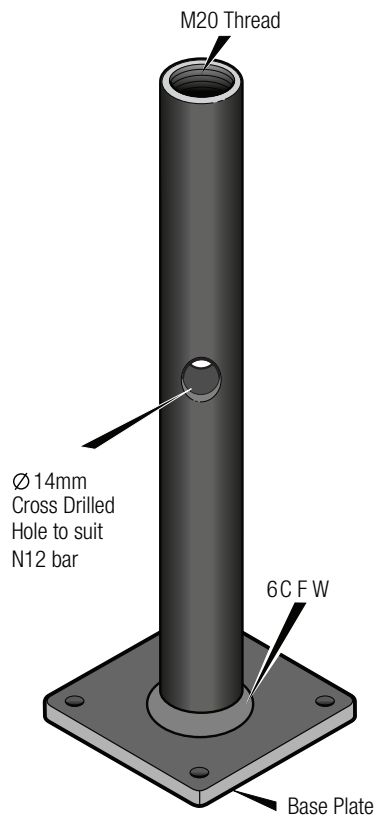
Secure the Shear Pin using a padlock.

FERRULE STANDS

| Part No. | |
|----------|--|
| 27-FS20 | M20 Ferrule stand starting from 150mm high |

■ Ferrule Stands can also be made to a required lengths

■ No assembly required



SHISHAM BRACE ANCHOR

SHISHAM BRACE ANCHOR (SBA)




| | |
|--|---------------|
| Part No. | SBA20120 |
| Hole Required | 20mm diameter |
| Installation Torque | 150 Nm |
| Bolt | Grade 8.8 |
| Min Anchor Spacing & Edge Distance | 300mm |
| Effective Depth (with Shisham Brace Foot) | 90mm |
| First Slip Load (to AS3850) | 33.7 kN |
| Tensile Working Load Limit (WLL) to AS3850 | 22 kN |
| Shear WLL (min) | 30 kN |

The Shisham Brace Anchor (SBA) is a superior solution for securing a precast panel brace foot and complies with AS3850 - 2015. It includes unsurpassed non-spin features to ensure full torque delivery and anchoring strength to the tapered expansion sleeve every time.

Paragraph A9 of AS3850-2015 specifies an extensive range of brace anchor testing with four different types of tests: tensile, shear, cyclic-tensile and torque tests. During the testing Shisham Brace Anchor exhibited high levels of consistency, an excellent resistance to cyclic loading and easy installation with guaranteed torqueing up each time. Compliance with AS3850-2015 confirms that Shisham brace anchor is a high quality product with great reliability.



FEATURES

-  SSG 30mm Head Size
-  SHISHAM identification stamped on bolt head
-  Bolt Grade 8.8

BRACE PARTS & ACCESSORIES

| Part No. | Part No. |
|----------------|--|
| 22-PIN | Shear Pin 16mm |
| 22-PADLOCK | Shisham Brass Padlock keyed alike |
| 22-PINWLOCK | Shisham Brass Padlock and 16mm Shear Pin Set |
| 22-THRODSET | 39mm Thread Rod w/nut, M16 bolt, Nyloc nut |
| 22-39 SPINDLE | 39mm Spindle C/W M16 Bolt & Nyloc nut |
| 22-SWFOOTY | Swivel Foot w/bolt & nut |
| 22-DUALBOLT | Dual Bolt Swivel Foot w/bolt & nut |
| 22-STILLAGE | Brace Stillage – Galvanized |
| 22-KNEEBRACKET | Dual Knee Brace Bracket |
| 22-SPANNER | Brace Spanner |
| 22-VFOOT | Vertical Prop Foot |
| 22-DISLOCK | Shisham Single Use Lock |
| 22-SHBAR | Shisham (Burke) Bar |



**SHISHAM BAR
(22-SHBAR)**

**BRACE SPANNER
(22-SPANNER)**



**RATED SHEAR PIN
(22-PIN)**



**PADLOCK
(22-PADLOCK)**



**DISPOSABLE LOCK
(22-DISLOCK)**



PLASTICS



PLASTIC PACKERS

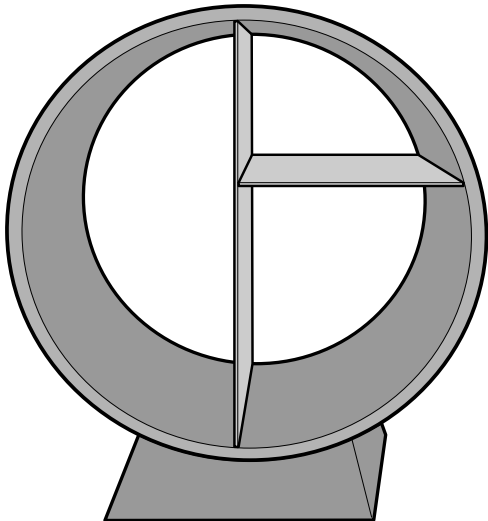
| Part No. | | Colour | Bag/Qty |
|-----------|-------------------------------|--------|---------|
| 26-HALF1 | 100x75mm Shim 1mm Half Size | Brown | 500 |
| 26-HALF2 | 100x75mm Shim 2mm Half Size | Blue | 400 |
| 26-HALF3 | 100x75mm Shim 3mm Half Size | Green | 300 |
| 26-HALF5 | 100x75mm Shim 5mm Half Size | Yellow | 200 |
| 26-HALF10 | 100x75mm Shim 10mm Half Size | Black | 100 |
| 26-HALF15 | 100x75mm Shim 15mm Half Size | Grey | 60 |
| 26-HALF20 | 100x75mm Shim 20mm Half Size | White | 50 |
| 26-FULL1 | 100x150mm Shim 1mm Full Size | Brown | 250 |
| 26-FULL2 | 100x150mm Shim 2mm Full Size | Blue | 200 |
| 26-FULL3 | 100x150mm Shim 3mm Full Size | Green | 150 |
| 26-FULL5 | 100x150mm Shim 5mm Full Size | Yellow | 100 |
| 26-FULL10 | 100x150mm Shim 10mm Full Size | Black | 40 |
| 26-FULL15 | 100x150mm Shim 15mm Full Size | Grey | 30 |
| 26-FULL20 | 100x150mm Shim 20mm Full Size | White | 30 |



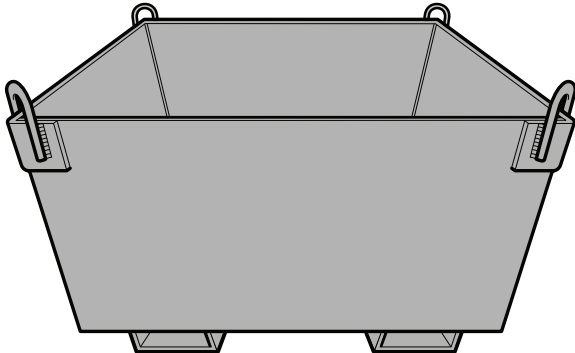
**AS 3850.1:2015
COMPLIANT**

CUSTOM FOR OUR CUSTOMERS

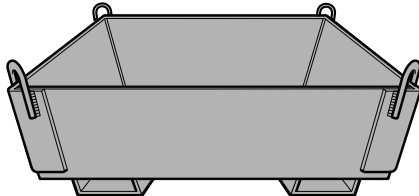
Here at Shisham Stanley Group we like to be a resource and help with customer needs, here are some of our clients custom-made creations.



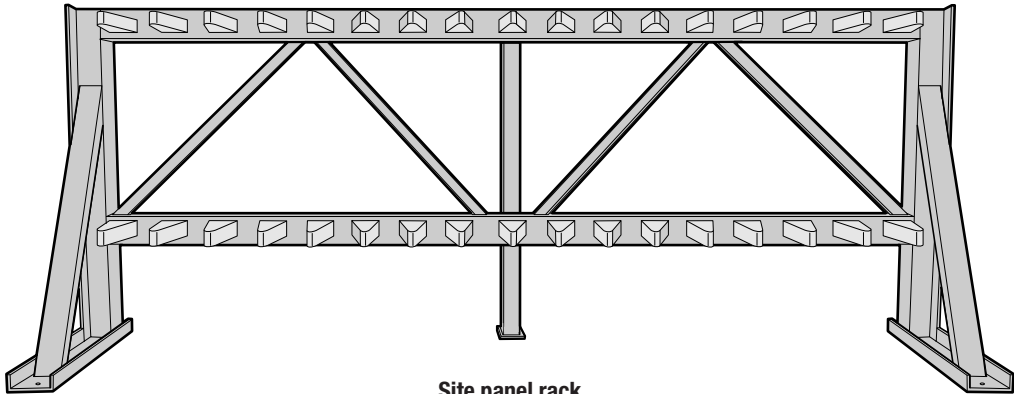
Purpose built firewood storage



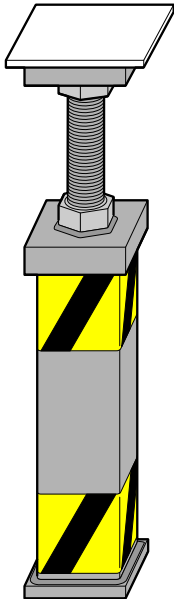
Rubbish scrap bins



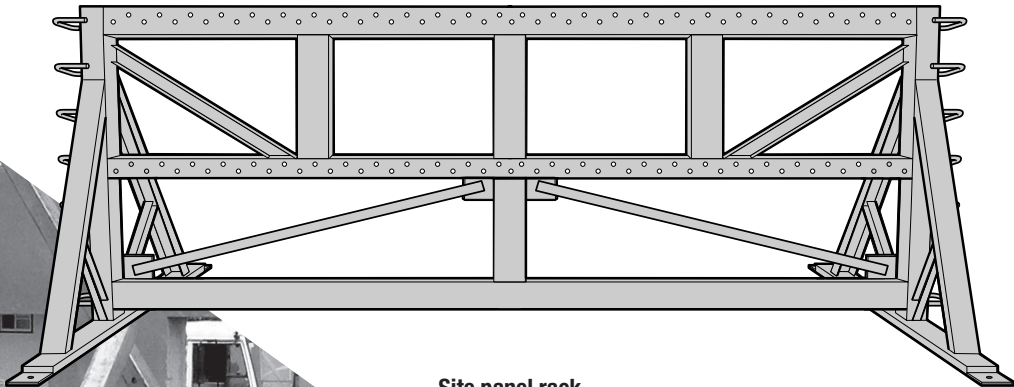
Heavy duty excess concrete bin



Site panel rack



Jack Engineered



Site panel rack

PRECAST HARDWARE

ANGLES

| Part No. | |
|------------------|--|
| 22-A22015010 | 220x150x12mm x 100W with 2 x 80mm slots – STANDARD |
| 22-ANGLEC | CUSTOM angles & brackets made to order |

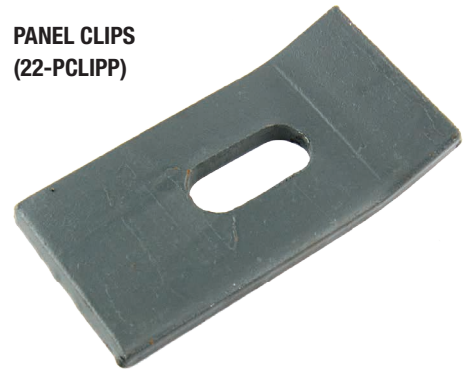
**ANGLES
(22-A22015010)**



PANEL CLIPS

| Part No. | |
|-------------|---|
| 22-PCLIP | Panel Clip 150x75x10 (Cleat) Black, mild steel |
| 22-PCLIPP | Panel Clip 150x75x10 (Cleat) Painted, grey primer |
| 22-PCLIPG | Panel Clip 150x75x10 (Cleat) Galvanized |
| 22-PCLIPEXT | Panel Clip 200x75x10 (Cleat) Extended |
| 22-PCLIPC | CUSTOM panel clips made to order |

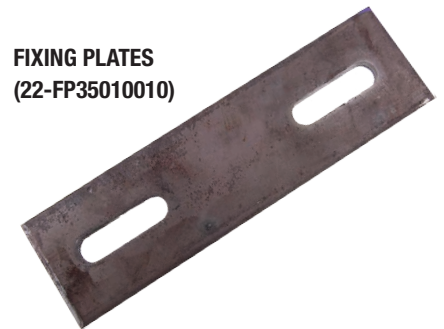
**PANEL CLIPS
(22-PCLIPP)**



FIXING PLATES

| Part No. | |
|---------------|---|
| 22-FP35010010 | 350x100x10mm with 2 x 80mm slots – STANDARD |
| 22-FP30015012 | 300x150x12mm with 2 x 80mm slots – STANDARD |
| | CUSTOM plates made to order |

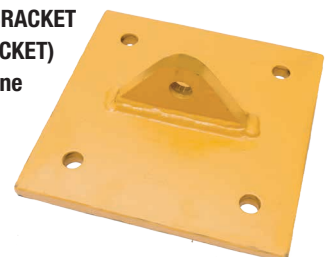
**FIXING PLATES
(22-FP35010010)**



LIFTING BRACKET

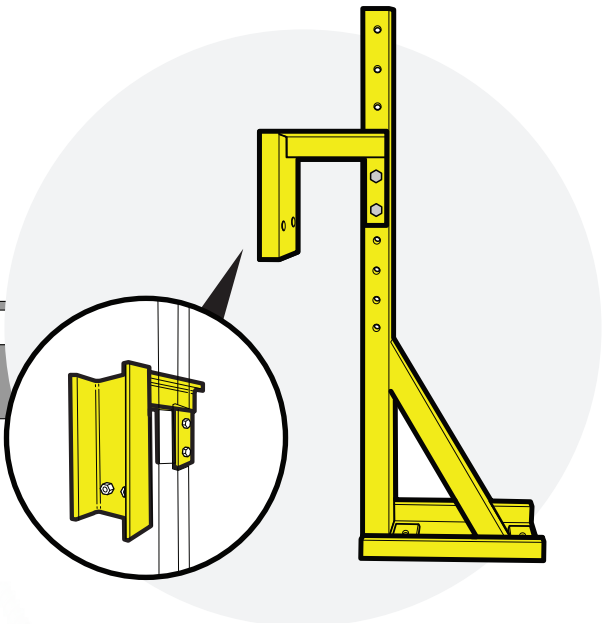
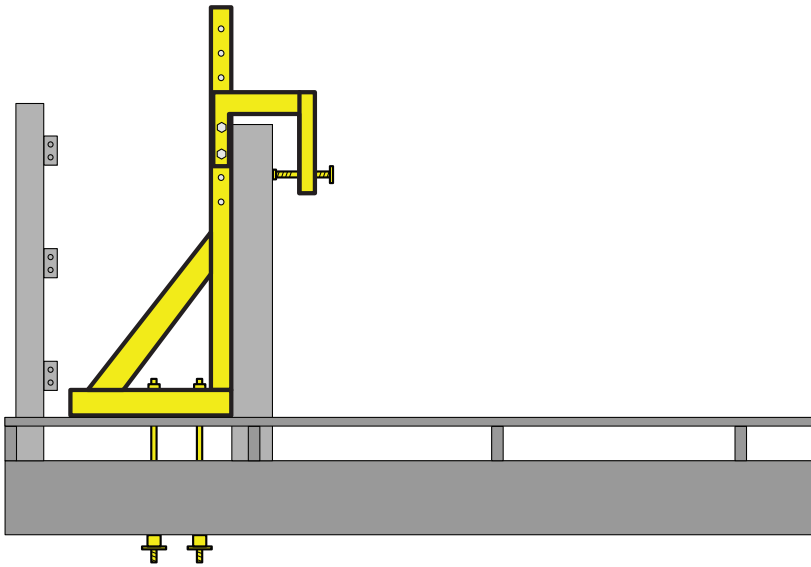
| Part No. | |
|-------------|----------|
| 22-LBRACKET | 5 Tonne |
| 22-LBRACKET | 10 Tonne |

**LIFTING BRACKET
(22-LBRACKET)
5 & 10tonne**



BALCONY SUPPORT BRACKET

PRECAST HARDWARE



BALCONY SUPPORT BRACKET

| Part No. | |
|----------------------------|--|
| 22-Balcony Support Bracket | |

STARTER BARS

| Part No. | |
|------------|-----------------------------|
| 69-N12600 | N12x600mm with 50mm thread |
| 69-N121000 | N12x1000mm with 50mm thread |
| 69-N16600 | N16x600mm with 50mm thread |
| 69-N16800 | N16x800mm with 50mm thread |
| 69-N161000 | N16x1000mm with 50mm thread |
| 69-N20600 | N20x600mm with 50mm thread |
| 69-N201000 | N20x1000mm with 50mm thread |
| 69-N24600 | N24x600mm with 50mm thread |
| 69-N20800 | N20x800mm with 50mm thread |
| 69-N241000 | N24x1000mm with 50mm thread |

**STARTER BAR
(69-N16600)**



ASSEMBLY BARS

| Part No. | |
|---------------|-----------------------------|
| 69-ASSM12600 | M12x600mm Assembly Bar |
| 69-ASSM16600 | M16x600mm Assembly Bar |
| 69-ASSM20600 | M20x600mm Assembly Bar |
| 69-ASSM24600 | M24x600mm Assembly Bar |
| 69-ASSM161000 | M16x1000mm Assembly Bar |
| 69-ASSM201000 | M20x1000mm Assembly Bar |
| 69-ASSM241000 | M24x1000mm Assembly Bar |
| 69-N241000 | N24x1000mm with 50mm thread |

**ASSEMBLY BAR
(69-ASSM16)**



PRECAST HARDWARE

Shisham Stanley Group offer a large range of precast concrete ferrules. Not only do we have structural ferrules, we stock foot ferrules (square), couplers, double end ferrules. We also have the capabilities and facilities to manufacture custom ferrules to suit requirements.

ROUND FERRULES

| Part No. | |
|-----------|-----------------------------------|
| 27-CD1265 | M12x65mm Ferrule ZP Cross Drilled |
| 27-CD1275 | M12x75mm Ferrule ZP Cross Drilled |
| 27-CD1296 | M12x96mm Ferrule ZP Cross Drilled |
| 27-CD1675 | M16x75mm Ferrule ZP Cross Drilled |
| 27-CD1696 | M16x96mm Ferrule ZP Cross Drilled |
| 27-CD2075 | M20x75mm Ferrule ZP Cross Drilled |
| 27-CD2096 | M20x96mm Ferrule ZP Cross Drilled |
| 27-RB2065 | M20x65mm Cast in Plate Ferrule |



FOOT FERRULES

| Part No. | |
|-----------|------------------------------|
| 27-SF1670 | M16x70mm Square Foot Ferrule |
| 27-SF1676 | M16x76mm Square Foot Ferrule |
| 27-SF1696 | M16x96mm Square Foot Ferrule |
| 27-SF2070 | M20x70mm Square Foot Ferrule |
| 27-SF2076 | M20x76mm Square Foot Ferrule |
| 27-SF2096 | M20x96mm Square Foot Ferrule |
| 27-SF1270 | M12x70mm Square Foot Ferrule |





Shisham Stanley Group not only holds large stock levels of common cast in plates, we also have the capabilities and facilities to manufacture custom cast in plates to suit your requirements. Send through your drawings to our friendly staff for an obligation free quotation.

CAST IN PLATES

| Part No. | |
|---------------|--|
| 57-CP1 | 200x200x12mm Plate with 2N16 D-bars 85mm |
| 57-CP1F | 200x200x12mm Plate, Ferrule, 2N16, D-bars 85mm |
| 57-CP2 | 200x200x12mm Plate with 2N16 D Bars 120mm |
| 57-CP2F | 200x200x12mm Plate, Ferrule, 2N16, Dbars 120mm |
| 57-CP3 | 300x200x16mm Plate with 3N16 Dbars 120mm |
| 57-CP4 | 400x200x16mm Plate with 4N16 Dbars 120mm |
| 57-CP5 | 500x200x16mm Plate with 5 N16 Dbars 120mm |
| 57-CPC | Custom Cast in plates made to order |

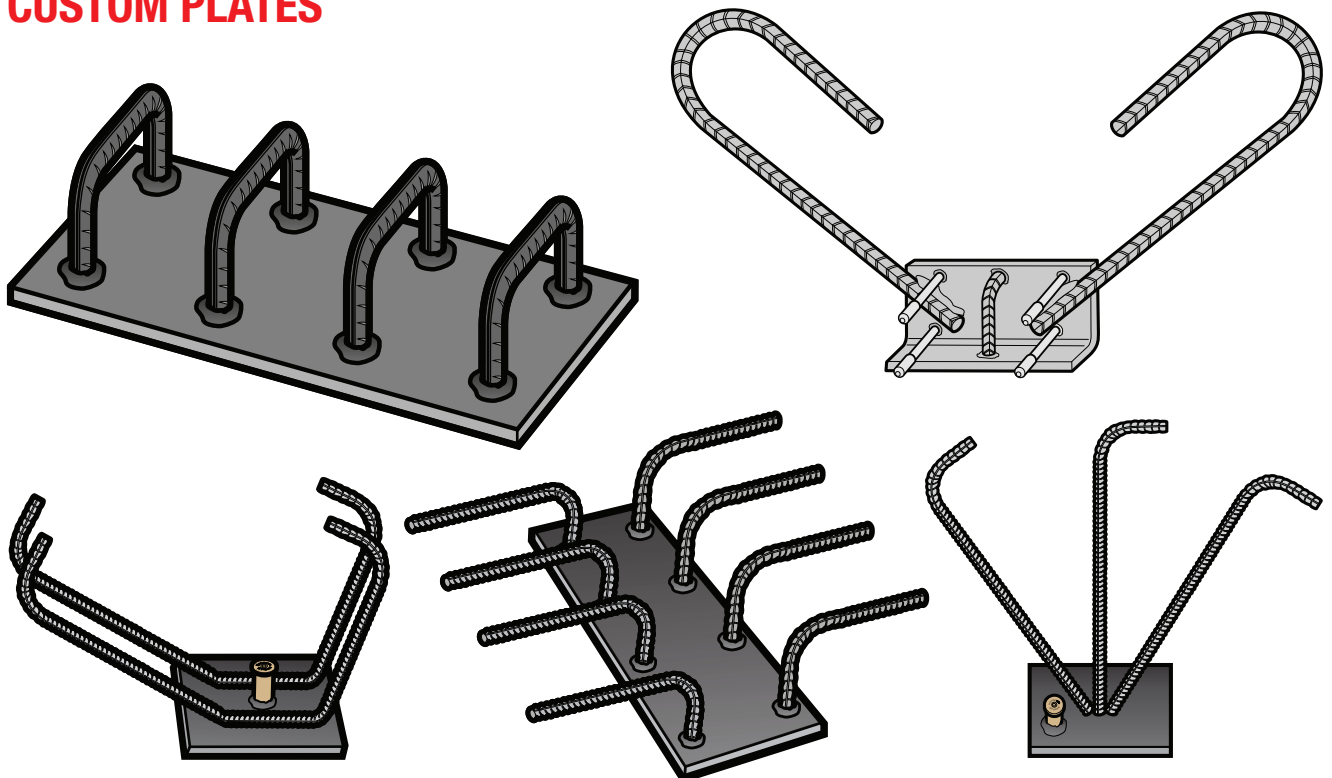
Custom cast in plates

Edge plates

Brackets

Frames

CUSTOM PLATES



WE ARE NOT ONLY ABOUT BRACES AND CONCRETE HARDWARE

☐ All general steel fabrication work

☐ Plate Cutting

☐ Laser Cutter – Mild Steel Plates, up to 12mm

☐ Plasma Cutter – Mild Steel Plates, up to 45mm

☐ Profile Cutter – Mild Steel Plates, 8mm-50mm

☐ Bending

☐ Press Brake

☐ 80T, bend up to 4mm x 2.4m

☐ 400T, bend up to 20mm x 2m

☐ Bump Roll Radius

☐ Sheet steel fabrication

☐ CNC machining & turning

☐ Steel processing including drilling, cutting & punching

☐ Steel welding services

☐ Fixing plates, angles, connection plates

☐ Structural steel fabrication

☐ Custom fabrication

☐ Panel Racks

☐ Steel bins

☐ Steel shutters & Braces

☐ Threading

☐ Strong backs

☐ Job specific Steel Fillet

☐ Steel Grate

AT SHISHAM STANLEY GROUP WE OFFER A COMPREHENSIVE PRECAST PANEL ERECTION ENGINEERING SERVICE INCLUDING (BUT NOT LIMITED TO) THE FOLLOWING:

■ Precast panel temporary wind brace design and certification in compliance with AS3850-2015, National Code of Practice for Precast, Tilt-Up and Concrete Elements and Worksafe Victoria Industry Standard. The design includes brace plans with detailed sections and views, fixing anchor details and locations, brace footing design (where required). We also provide a design table with all the relevant details, brace take-off, comments and notes. A certificate of compliance is issued at your request.

■ Precast erection engineering design helps improving safety and efficiency on site, avoiding potential risks and unnecessary costly delays. It ensures compliance with the requirements by the industry legislation and Worksafe. With Shisham providing design, fabrication and on-time supply, you will improve the chances of completing your project as scheduled.

■ Panel erection sequence optimized for safety and erection speed.

■ Coordination with all the relevant parties involved in the process: construction company, project consultant, panel shop detailer, crane crew and panel manufacturer (precaster).

■ Precast panel lifting certifications.

■ Review of the IFA panel shop drawings and plans to ensure that brace insert and panel connection details suit the planned erection method and site conditions.

■ Design and certification of temporary braces and restraints required for backfill pressures or other construction loads.

■ Design and certification of any propping, connections, supports or restraints required for panel erection other than braces. The design is followed up by take-off, shop detailing and a quick turnaround fabrication and on-site delivery.

■ Bill of quantities for braces and other items required for temporary works which will help you estimate the costs of temporary works early on in the project.

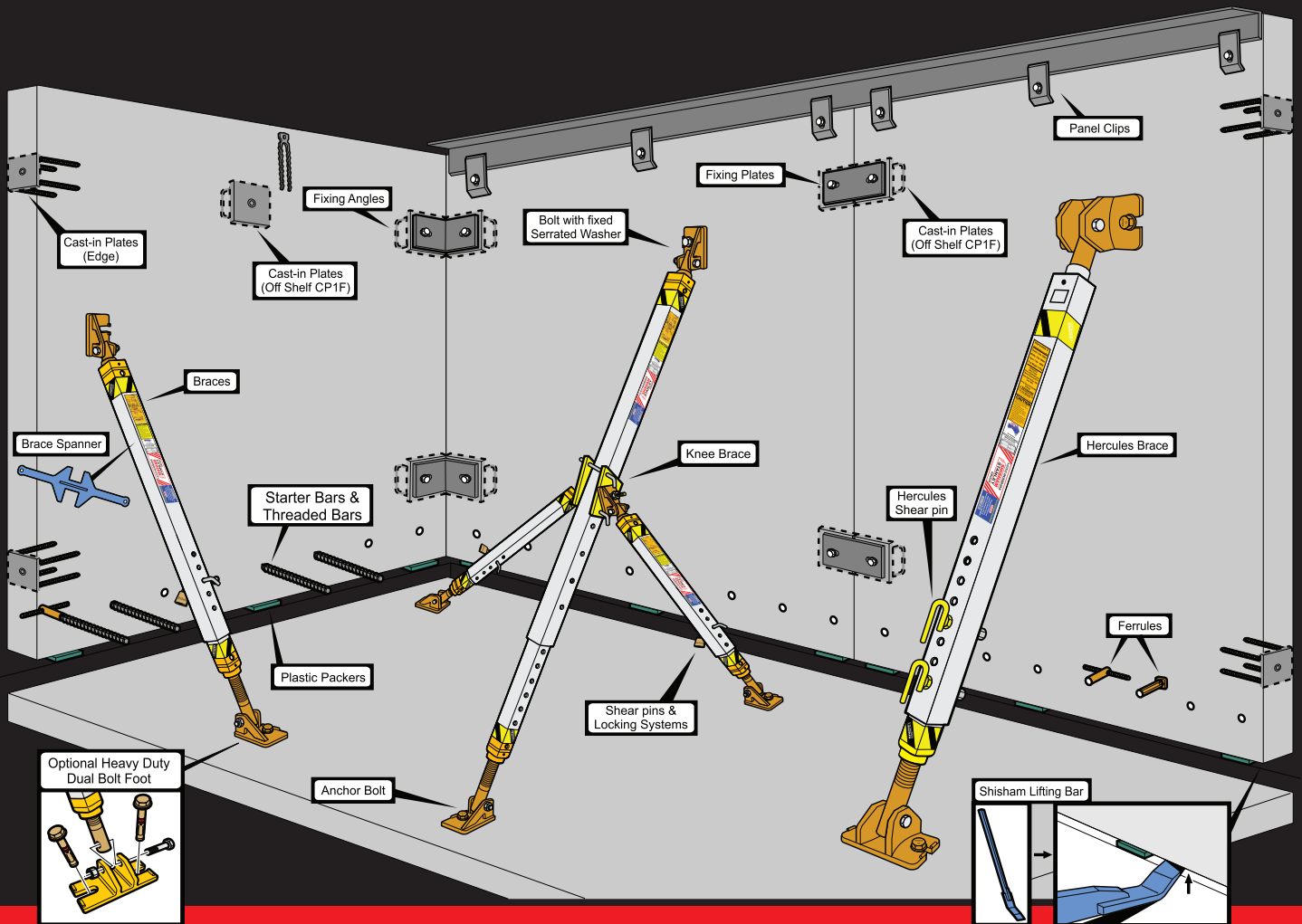
■ Brace removal certifications.

■ Back-propping designs for any additional loads on concrete slabs.

■ Site visits and inspections in the Melbourne area. Site visits are often vital in resolution of certain problems or elimination of potential issues in the panel erection process.

■ Technical support for all your queries.

Shisham Concrete Panel Accessories Internal & External Parts



SHISHAM STANLEY GROUP

Email enquiries@shisham.com.au
ABN 51 057 134 522

www.shisham.com.au

Proudly owned by the Messina family

MELBOURNE BRANCH

Address 1 Bennet Street,
Dandenong VIC 3175 Australia

Phone 03 9791 4622

Fax 03 9792 4854

BRISBANE BRANCH

Phone 07 3376 4286